



Husky™ 515/716 Transfer Drum Packages

**Evacuates
200 liters drums
up to 5,000 cps**

- **Excellent for abrasive, low to medium viscosity fluids and shear sensitive materials**
- **Pump is never immersed inside the drum (only the suction tube is immersed)**
- **Quick priming and immediate flow of product**
- **Pump will handle fluid viscosities up to 5,000 cps**
- **Pump runs dry without damage**
- **Provides air tight seal for moisture sensitive fluids**
- **"Easy out seal" provides fast slide in and out of drums through bung adapter without disconnecting hoses**



The Husky 515/716 pumps make the perfect drum pump since they are free of rotating parts and are made of materials such as polypropylene, acetal, aluminum and stainless steel. A variety of packages are designed for compatibility with virtually all fluids.

These Husky Transfer Drum Packages are excellent for abrasive, shear sensitive fluids and low to medium viscosity fluids. Husky diaphragm pumps can run dry without damage. They will handle solids up to 2.5 mm. Intake tubes are available in stainless steel, polypropylene and aluminum. "Easy out seal" available in stainless steel, polypropylene and acetal. The bung adapter fits into any 2" bung opening. The "easy out seal" and bung adapter provide an air tight seal. The "easy out seal" accommodates slightly off-sized drum up to 2 1/2".

Typical Applications

- Industrial solvents: aromatics, esters, ketones, chlorinated solvents
- Adhesives: contact cement, white glue, resins
- Decorative/Protective Coatings: paints, stains, varnish, solvents
- Lubricants/Coolants: motor oil, hydraulic fluids, cutting fluids, antifreeze
- Cleaners/Sanitizers: soaps, detergents, solvents, acids, caustics
- Inks: flexographic, silk-screen inks

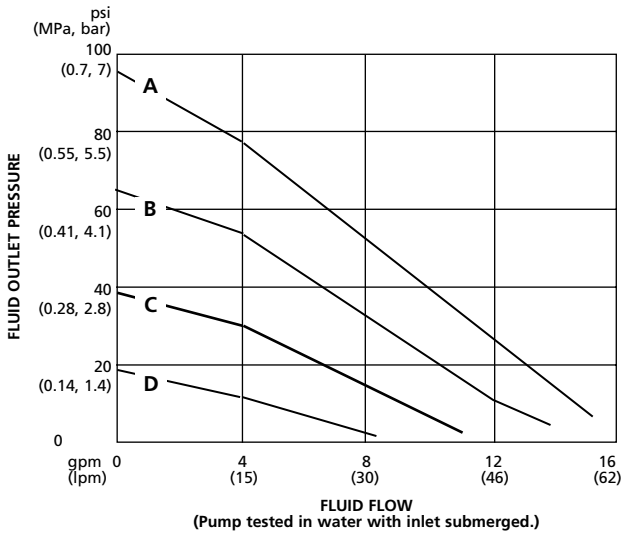
Technical Specifications for Husky 515/716 Drum Packages

Maximum working fluid pressure	7 bar (0.7 MPa)
Air pressure operating range	1.8 to 7 bar (0.18 to 0-7 MPa)
Maximum air consumption	0.672 m ³ /min. (28 scfm)
Maximum free flow delivery while emptying a 55 gallon (208 liters) drum of water	
For 515 (1/2" ports)	57 l/min. (12 gpm)
For 716, 515 (3/4" ports)	61 l/min. (14 gpm)
Maximum pump speed	400 cpm
Gallons (liters) per cycle	0.15 liter (0.04 gallon)
Maximum size pumpable solids	2.5 mm (3/32")
Sound power level (measured per ISO standard 9614-2)	
At 4.8 bar (0.48 MPa) at 50 cpm	77 dBa
At 7 bar (0.7 MPa) at maximum cpm	95 dBa
Sound pressure level (measured 1 meter from pump)	
At 4.8 bar (0.48 MPa) at 50 cpm	67 dBa
At 7 bar (0.7 MPa) at maximum cpm	85 dBa
Air inlet size	1/4 npt(f)
Air exhaust port size	3/8 npt(f)
Fluid inlet size	
For 515	3/4 bsp + npt(f)
For 716	3/4 bsp + npt(f)
Fluid outlet size	
For 515	1/2 and 3/4 bsp + npt(f)
For 716	3/4 bsp + npt(f)
Wetted parts (fluid covers and manifolds)	
Acetal pumps	groundable acetal, Teflon®
Polypropylene pumps	polypropylene, Teflon®
Aluminum pumps	aluminum, SST, Teflon, zinc-plated steel
SST pumps	SST, Teflon®
Pump Weight	
Acetal pumps	3.5 kg (7.8 lbs.)
Polypropylene pumps	2.9 kg (6.5 lbs.)
Aluminum pumps	3.9 kg (8.5 lbs.)
SST pumps	8.2 kg (18 lbs.)
Drum Kit Weight	
233045 Polypropylene tube with polypropylene "easy out seal"	1.8 kg (4.0 lbs.)
233046 Aluminum tube with acetal "easy out seal"	2.0 kg (4.5 lbs.)
233047 SST tube with acetal "easy out seal"	2.9 kg (6.5 lbs.)
233048 SST tube with SST "easy out seal"	4.3 kg (9.5 lbs.)
Drum Package Weight	
Polypropylene pump with polypropylene tube	4.8 kg (10.5 lbs.)
Acetal pump with aluminum tube	5.6 kg (12.3 lbs.)
Acetal pump with SST tube	6.5 kg (14.3 lbs.)
Aluminum pump with aluminum tube	5.9 kg (13.0 lbs.)
SST pump with SST tube	12.5 kg (27.5 lbs.)
Drum Package Instruction Manual	309-116
Husky 515/716 Instruction Manual	308-981

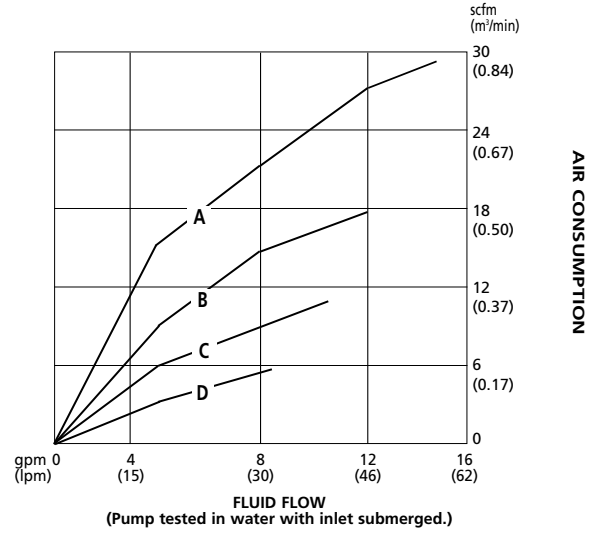
Teflon® is a registered trademark of Du Pont. All other trademarks mentioned herein are property of their respective owners.

Husky 515/716 Pump Performance

Fluid Pressure



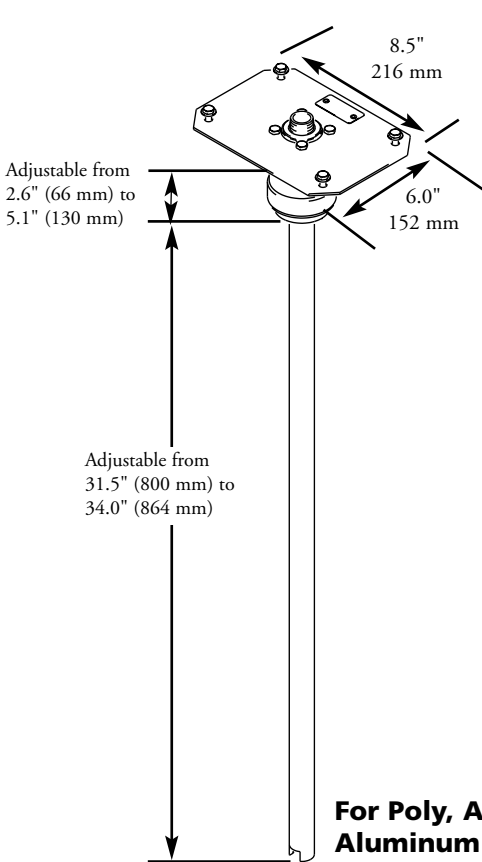
Air Consumption



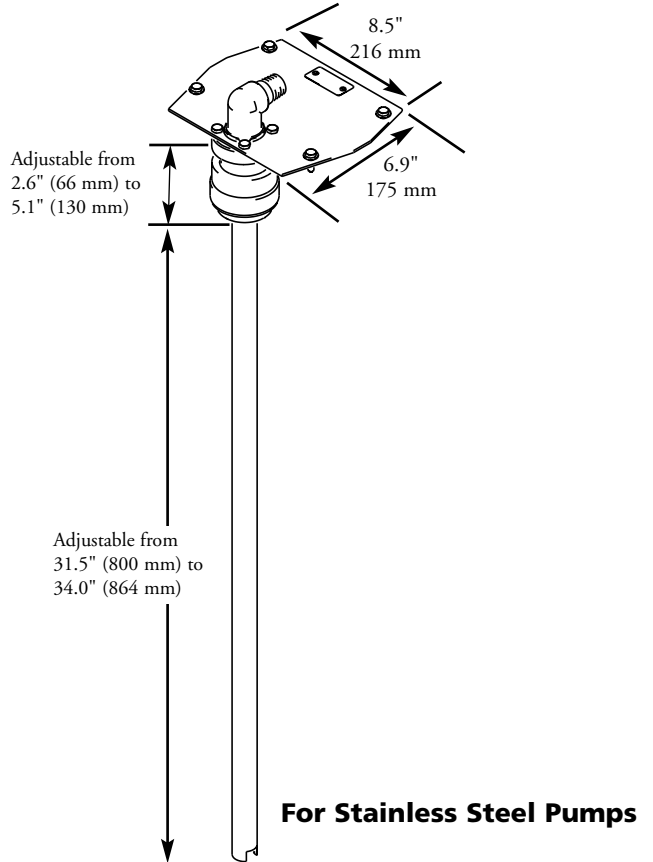
Air Pressures:

- A = at 7 bar (0.7 MPa)
- B = at 4.8 bar (0.48 MPa)
- C = at 2.8 bar (0.28 MPa)
- D = at 1.4 bar (0.14 MPa)

Dimensional Drawing



For Poly, Acetal and Aluminum Pumps



For Stainless Steel Pumps

Ordering Information

Drum Pump Packages

- 233051** Includes pump 241565 and kit 233045
233052 Includes pump 241564 and kit 233047
233053 Includes pump 241564 and kit 233046
233054 Includes pump 243305 and kit 233046
233055 Includes pump 243306 and kit 233046
233056 Includes pump 243307 and kit 233046
233057 Includes pump D54311 and kit 233048

Drum Pump Kits

- 233045** Includes mounting plate, polypropylene "easy out seal," bung adapter and polypropylene suction tube
233046 Includes mounting plate, acetal "easy out seal," bung adapter and aluminum suction tube
233047 Includes mounting plate, acetal "easy out seal," bung adapter and stainless steel suction tube
233048 Includes mounting plate, stainless steel "easy out seal," bung adapter and stainless steel suction tube

Husky Pumps with Open Down Ports

- 241564** Husky 515 acetal pump with acetal seats, balls and Teflon® diaphragms
241565 Husky 515 polypropylene pump with polypropylene seats, Teflon balls and diaphragms
243305 Husky 716 aluminum pump with acetal seats, Santoprene® balls and diaphragms
243306 Husky 716 aluminum pump with acetal seats, Buna-N balls and diaphragms
243307 Husky 716 aluminum pump with acetal seats, Teflon balls and diaphragms
D54311 Husky 716 stainless steel pump with stainless steel seats, Teflon balls and diaphragms

Accessories

- 221169** **Groundable Air Hose**
Max. working pressure: 21 bar (2.1 MPa).
1/2" ID x 3 m.
Coupled 1/2 npt(m) x 1/4 npt(m).
- 110146** **Air Line Filter**
Max. working pressure: 21 bar (2.1 MPa).
1/4 npt(f). Reusable 20 micron filter with drain cock.
- 208536** **Air Quick Connect Coupler** 1/4 npt(f)

- 169970** **Air Quick Connect Nipple** 1/4 npt(m)

- 110147** **Air Regulator** 1/4 npt(f) with cover

Groundable Fluid Hoses:

Max. working pressure: 35 bar (3.5 MPa). Nylon core, urethane cover, 3/4" ID, 3/4 npt(mbe) and SST fittings.

- 221170** 0.9 m
221171 1.8 m
221172 3.0 m
221173 7.6 m

- 113497** **Fluid Pressure Relief Valve**
Venting pressure: 10.5 bar (1.05 MPa)

- 222011** **Grounding Wire and Clamp**
Length: 7.6 m (25 ft.), 1.5 mm² (12 ga.)

All written and visual data contained in this document are based on the latest product information available at the time of publication. Graco reserves the right to make changes at any time without notice.

Graco Inc. is registered to I.S. EN ISO 9001



GRACO N.V.
Slakweidestraat 31
B-3630 Maasmechelen
Tel: (32) 89 770 700 • Fax: (32) 89 770 777
www.graco.com (US) • www.graco.be (Europe)

©2000 Graco Inc. Form No. 325-006 E Rev.A 03/00 Printed in Europe.
All other brand names or marks are used for identification purposes and are trademarks of their respective owners.

